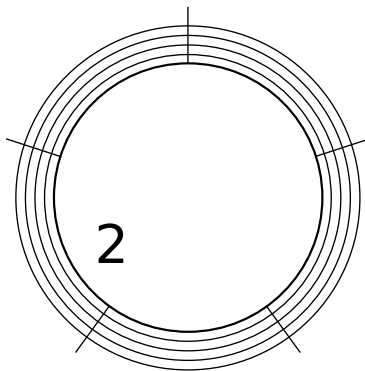
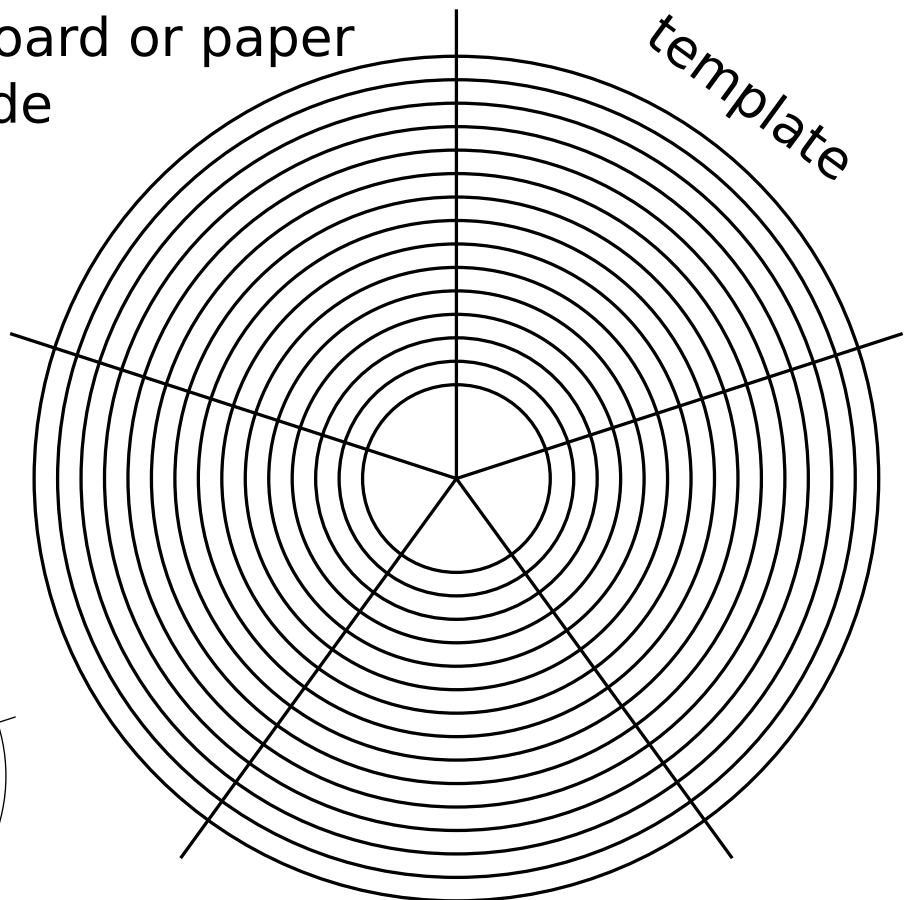
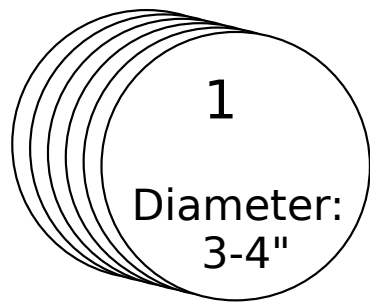


Cut disks from stiff cardboard or paper  
Use a glass or cup as guide



1. Cut out 6 disks
2. Center on template
3. Mark 5 points on edges
4. Mark lines between points
5. Fold at marks to make pentagon
6. Connect tabs to make 1/2 dodecahedron
7. Repeat 1-6; connect halves

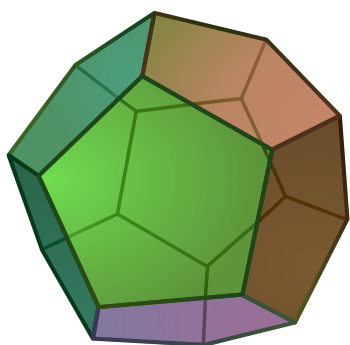
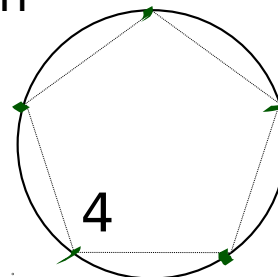
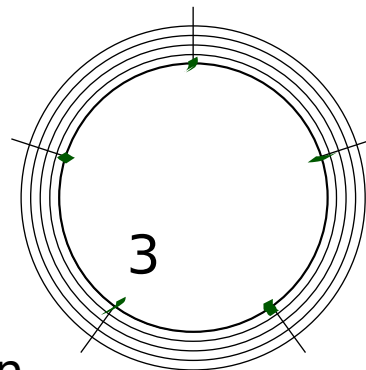


image credit: wikimedia

